

## Model 9623-7 Rev.1 Leak Rate Monitor

The Model 9623-7 is our long time best-selling leak rate monitor. This new revision to it improves upon a proven design. This unit has three flow ranges and one pressure channel. The 9623-7 quantifies the component's leakage rate by maintaining a constant gas pressure against the barrier being tested while measuring the gas flow rate needed in order to maintain that pressure constant.

Using three ranges, a 1000 to 1 turn-down ratio is achieved with a 1% of full scale accuracy over each of the three ranges. Each flow range is customer selectable. Full scale flow ranges up to 400 slpm may be ordered. This same unit may also be used to perform temperature compensated pressure decay tests on large volumes.

### SPECIFICATIONS

#### High Accuracy Pressure Regulator

Maximum Inlet Pressure: 250 psig  
 (Optional) 2300 psig Inlet option  
 Regulated Outlet Pressure: 5 to 80 psig

#### Color Touch Screen Display

#### Three Flow Ranges

Laminar element flow meters  
 Full Scale of Each Range Specified by User  
 10 to 1 Turn-Down Ratio Recommended  
 Accuracy: 1% of Full Scale  
 Repeatability: 0.5% of Full Scale  
 Max Pressure: 120 psig

#### Pressure

Full Scale: 100 psig  
 Accuracy: 0.25% of Full Scale

#### Power

24 vdc Wall Power Supply or 12 vdc  
 External Battery Pack



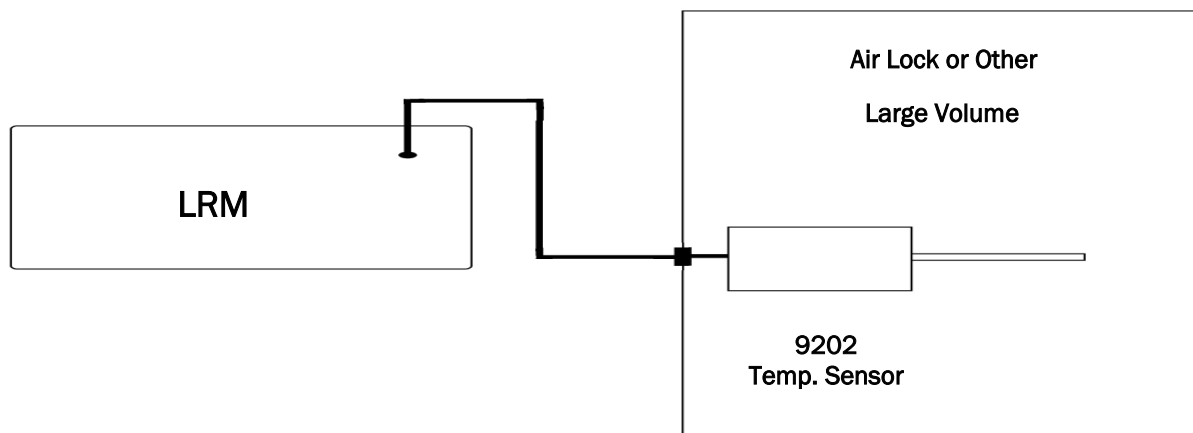


**G R A F T E L L L C .**

## Model 9623-7 Rev.1 Leak Rate Monitor

### IMPROVEMENTS OVER THE 9623-7 LEAKAGE RATE MONITOR

- Re-designed user friendly touch-screen interface
- Digital readout of test pressure on touch screen. Zero the test pressure sensor through touch-screen interface
- Touch screen enables user to log test data on a USB flash-drive
- In addition to the 3 flow meters, the test pressure gauge can also be re-calibrated and adjusted through touch-screen interface
- Extreme accuracy optional absolute pressure range for pressure decay testing large volumes



The screenshot shows the "PRESSURE DECAY" test interface. It features a "CONFIG" button in the top right corner. The interface is divided into two columns of data fields, each with a unit selector dropdown arrow to its right. The left column displays "AVG LEAKAGE RATE" (scfh), "PRESSURE" (psia), and "TEMP" (F). The right column displays "INST LEAK RATE" (scfh), "TEST VOLUME" (ft<sup>3</sup>), and "TEST TIME" (mins). At the bottom, there are three large red circular buttons labeled "START", "STOP", and "RESET". To the left of these buttons is a "BACK" button with a left-pointing arrow. To the right are two smaller buttons: "Show Data" and "Save to USB".

9623-7 Rev 1: Color Touch Screen for Pressure Decay Test